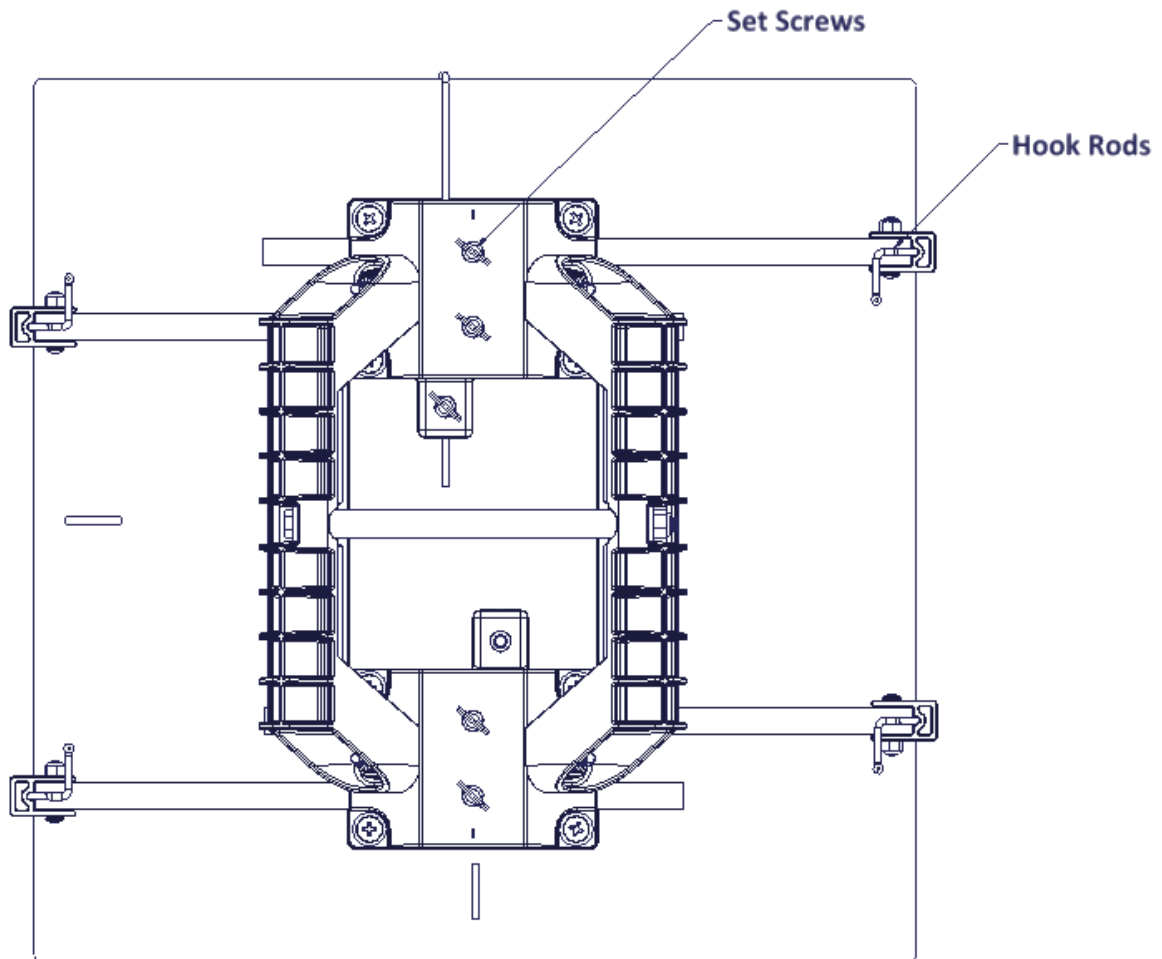


This tool is designed to lift pavers measuring a minimum of 6" x 12" and a maximum of 18" x 18". **Do not use to lift pavers over 45 lbs.** Measure and mark center on the sides of the paver. Set the tool over the paver. Align the center marks on the paver tool with the center marks on the paver. Slide the bars and spacer rods until the rods make contact with side of paver then tighten down the set screws. When using the paver setter, it is important that weight of the paver is equally distributed on each of the four hook rods.



(Example of correct setup to lift paver)

To lift and set the paver swing the hook rods inward toward until the handles of the rods are over the slide bars. **When lifting the paver use caution to hold level to prevent paver from sliding and possibly detaching from tool. Do not hold paver over hands or feet.**

Once the paver is set in position, swing the hook rods 90 degrees to release paver.

